

RA-12 Series Step-Lite

(Replaceable Lamps, 12V only)

12 Volt for economical power use.

1 watt lamps, 3.8 lumens, 2200K color temperature.

Choice of two lamp spacings: **"EB"** 1.2" oc or the **"STD"** 2" oc spacing.

Slim line contour of continuous light, 5/8"w x 3/4"t.

Easy to replace lamps for years of service.

Easily **field shorten** if needed.

Clear polycarbonate lense cover with UV inhibitors.

Low temperature, warm to the touch.

Completely **dimnable** light system.

Can be mounted with silicone adhesive or double sided tape.

Dry/Damp Rated.

"EB" lamps max length **10ft.** – **"STD"** lamps max length **15ft.**

Custom lengths manufactured to the INCH.

10,000 hour continuous lamp life.

Housing is white extruded UV stabilized plastic.

UL 94-VO flammability rated.

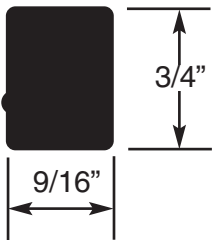
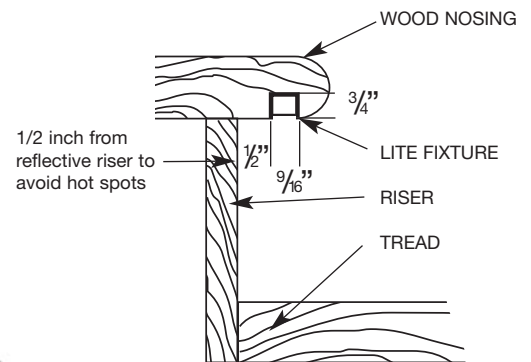
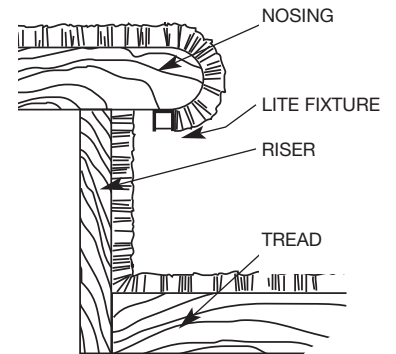
Can be powered with either AC or DC power source.

Lead wires are 18", unless ordered longer.

LAMPS INCLUDED.

SERIES

RA-12

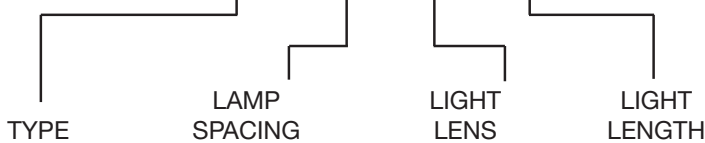


Uses:

Steps, railings, handrails, window dressings, coves, soffits, kitchen cabinets, anywhere you need small bright lighting for years of service.

ORDER/SPECIFY BY CATALOG NUMBERS

RA-12 - EB - FS - 104



RA-Series Standard (max length 15ft.)
Extra Bright (max length 10ft.) Clear-CL Order custom length
Frosted-FS to the inch required

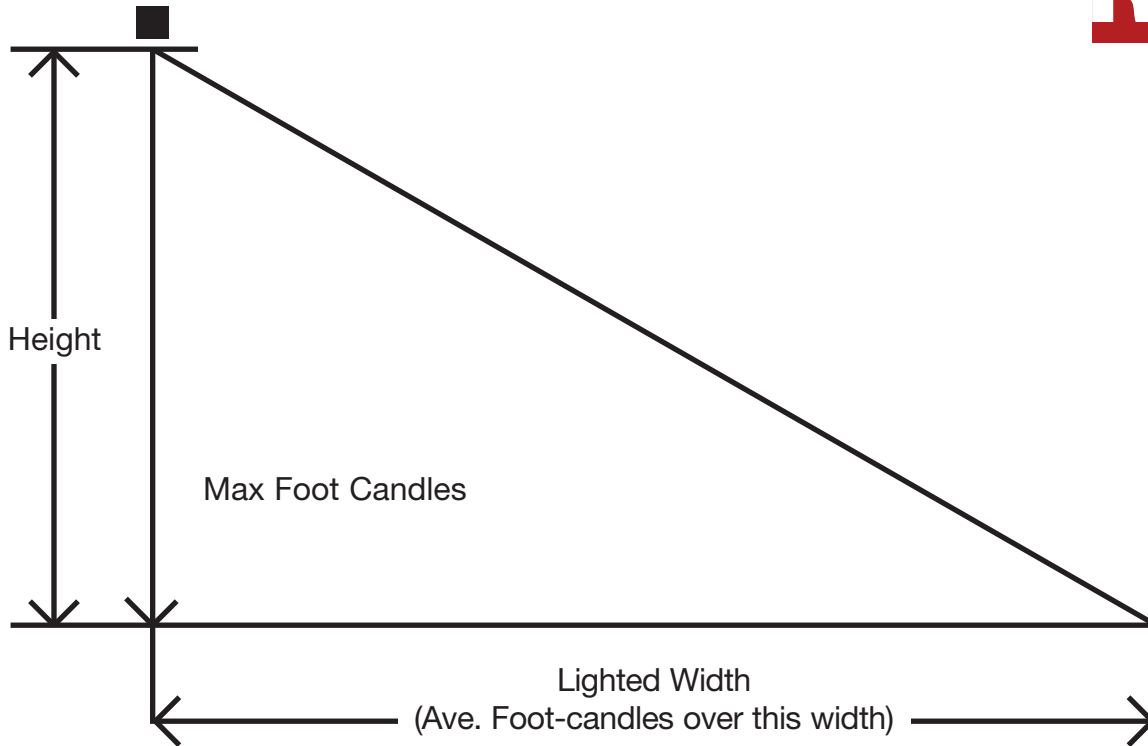


©2008

8413 Mantle Avenue
Oklahoma City, OK 73132
405-728-4895
1-800-654-8268
FAX: 405-728-4878
info@robertssteplite.com

SERIES

RA12



Height above floor in Inches	Lighted width in Inches	RA-12-EB		RA-12-STD	
		Ave.	Max	Ave.	Max
6	6.8	8.7	18.9	5.1	11.6
10	11.3	5.2	11.3	3.1	7.0
12	13.5	4.4	9.4	2.6	5.8
18	20.3	2.9	6.3	1.7	3.9
24	27.0	2.2	4.7	1.3	2.9
30	33.8	1.7	3.8	1.0	2.3
36	40.5	1.5	3.1	0.9	1.9

Foot-candle levels from continuous 36" long light unit.

NOTES:

1. Lighted width to point foot-candle levels falls to 10% maximum.
2. Average foot-candles over lighted width.
3. Foot-candles directly below light unit.
4. Average riser reflectance 30%.



©2008

8413 Mantle Avenue
Oklahoma City, OK 73132
405-728-4895
1-800-654-8268
FAX: 405-728-4878
info@robertssteplite.com

RM-12 Series Cove Lite

SERIES

RM-12

Slim profile cove accent lighting with decorative white molding included.

Moldings can be field painted or stained to clients color choice.

Miter cuts both inside and outside are easily accomplished at job site.

12 volt, 1 watt lamps are provided in either Extra Bright (EB) 1.2 inch lamp spacing or Standard Bright (STD) 2 inch spacings.

10,000 hour lamp life, 3.8 lumens, 2200 K color, all at economical 12 volts.

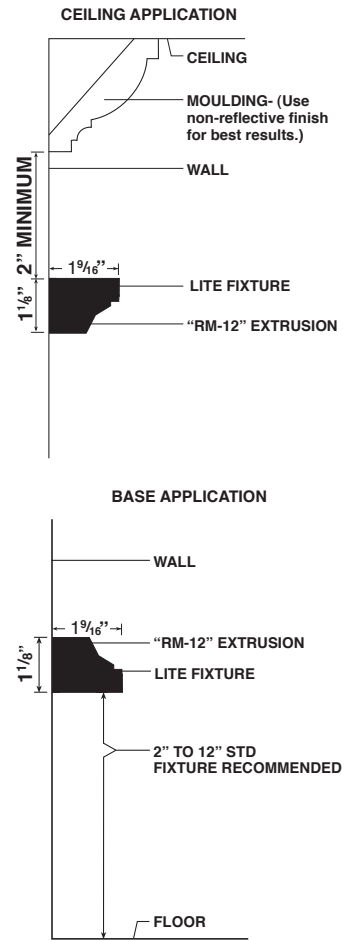
Cove light system is completely dimmable for creating just the right amount of accent lighting.

Maximum light lengths with Extra Bright (EB) lamps spacing is 10ft. long and 15ft. for Standard Bright (STD) lamp spacing.

Lights should be ordered to the 1/2 inch of length required or can be field shortened at the job if required.

Accent cove molding can be ordered and pre-shipped in bulk for installation before ordering light from field measurements.

Light system is 12 volt and requires transformers supplied by Roberts. Transformers are installed remotely with secondary wiring running back to the light locations. With room dimensions supplied, Roberts will be happy to aid in working out power point locations for your room dimensions.



Roberts RM-12 Series Cove lighting is designed for wall mounting to direct soft glow lighting up toward the ceiling or down toward the floor. The RM-12 Series is the perfect choice to enhance and highlight the beauty of a particular style of moldings, or to provide corridor lighting for special effect and safety of movement.

SPECIFY BY CATALOG NUMBERS

	RM-12 - EB -	114" -	12V
TYPE	LAMP SPACING	LIGHT LENGTH	VOLTAGE
RM-12 Cove Lighting	Standard or Extra Bright	Make Light 114" Long	Available In 12 Volt Only

Patent Pending



8413 Mantle Avenue
 Oklahoma City, OK 73132
405-728-4895
1-800-654-8268
 FAX: 405-728-4878
 info@robertssteplite.com

©2008

RN-12 Series Step-Lite/Display-lite

SERIES

RN-12

Uses:
Display,
bookcase, kitchen,
concealed light source

Display -
Bookcase - Kitchen -
Concealed Light Source

Slim, trim, the **easiest to conceal** profile.
1/2" w by 7/16" t.

Bright, white **1 watt** lamps - **12Volt**

Max. length 15ft. for 2" oc lamp spacing "**STD**"

Max. length 10ft. for 1.2" oc lamp spacing "**EB**"

Indoor or protected cover use

10,000 plus hours expected lamp light

Completely **dimnable**

Easy to replace lamps for years of use

If one lamp burns out, does not effect the rest

Power lead wires are 18" long

Can be mounted with silicone adhesive or double sided tape

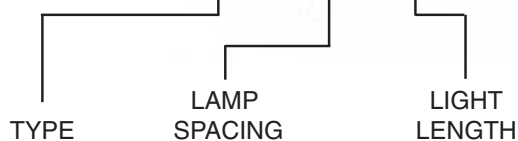
LAMPS INCLUDED

1 Watt lamps, 3.8 lumens, 2200K color



ORDER/SPECIFY BY CATALOG NUMBERS

RN-12 - STD - 150"



RN-Series

Standard (max length 15ft.)
Extra Bright (max length 10ft.)

Order any custom length
to the inch required



©2008

8413 Mantle Avenue
Oklahoma City, OK 73132
405-728-4895
1-800-654-8268
FAX: 405-728-4878
info@robertssteplite.com

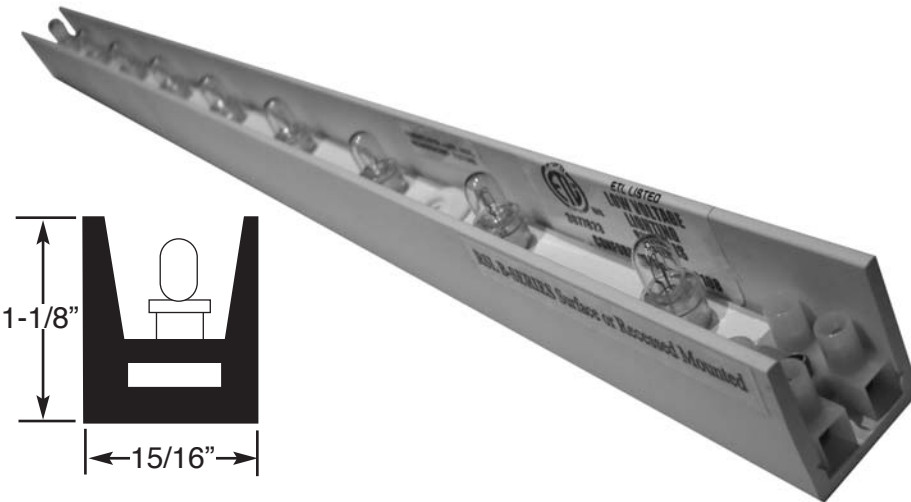
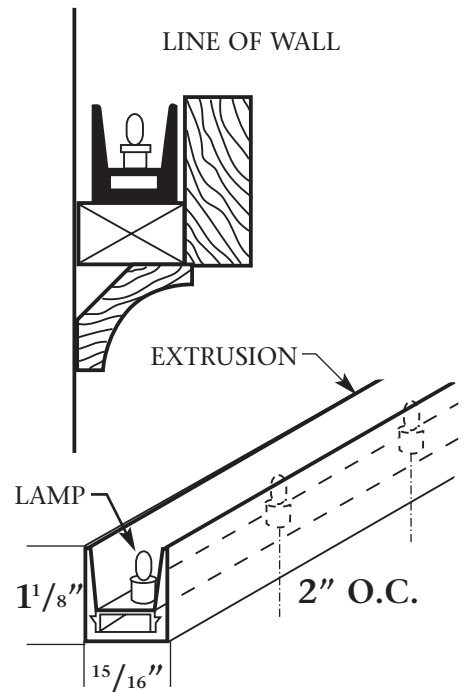
B-Series Cove Lite

Designed for convenience in applications of Cove Lighting
 Six lamps per foot, 2" o.c. spacing
 Specify **.9 Watt Lamps (15,000+ hours)**,
1.8 Watt Lamps (10,000 hours) or
2.8 Watt Lamps (5,000+ hours)
 Re-lamp capacity for years of continual service
 Low temperature of lamp allows for re-lamping with system on
 Available maximum 20'-0" length for .9 Watt or 1.8 Watt Lamps
 Available maximum 10'-0" length for 2.8 Watt Lamps
 Fixture is available in custom length or may be field cut to shorten
 Fixtures are 24 volt
 Widespread light distribution in either horizontal or vertical positions
 Lamps wired in parallel, mounted in polyvinyl extrusion – ready for installation
 For extra long runs, two 20' lengths can be center fed
 (.9 Watt Lamp and 1.8 Watt Lamp only)
 Can be dimmed on primary side of step-down transformer
 Visible surfaces of the extrusion may be painted to match or become a part
 of the molding design
 Factory kerfing for radius applications (possible additional cost)
 Mounting holes pre-drilled for screw or nail attachment

SERIES

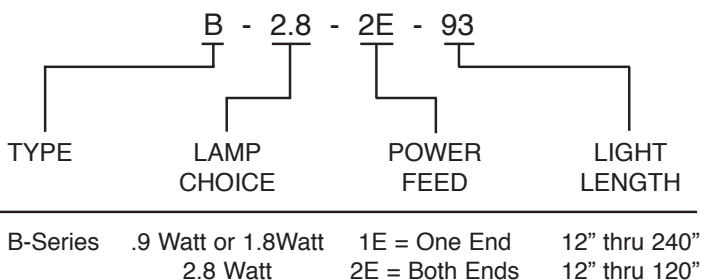


B-Series Cove Lite



Designed for convenience in cove lighting applications, Roberts' B-Series extrusions are the perfect solution for highlighting ceiling moldings whose beauty may not be adequately enhanced by normal lighting. The B-Series is available in a choice of lamp wattage, and may be relamped with the system on. As with all Step-Lite Systems, the Roberts staff is available to assist in design, project layout and/or to size transformers for specific projects.

SPECIFY BY CATALOG NUMBERS



Note: Do Not use 2.8 watt Lamp in shining down application.



©2008

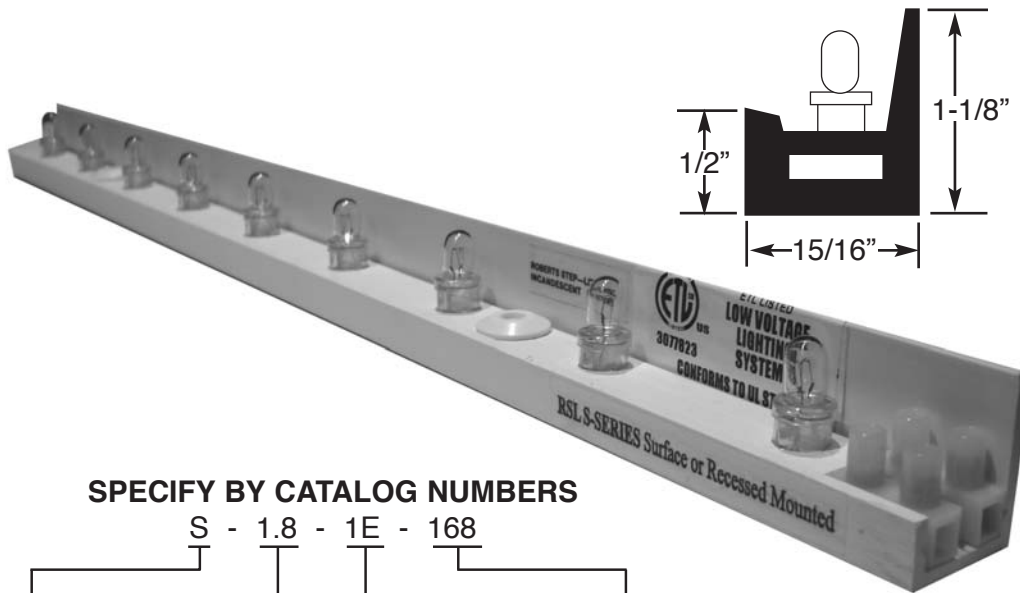
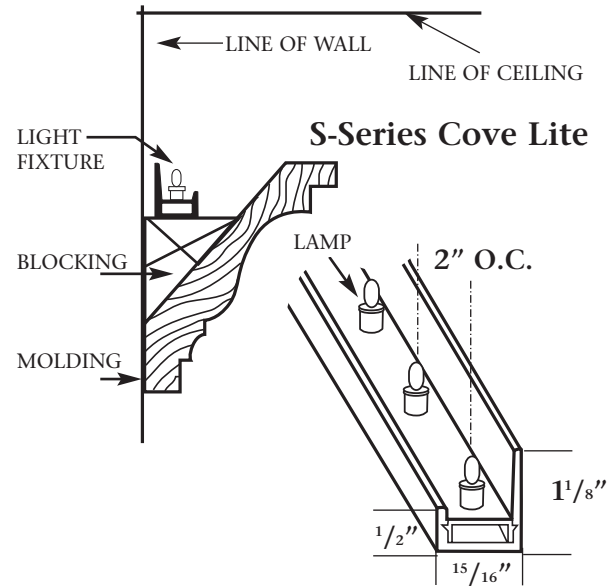
8413 Mantle Avenue
 Oklahoma City, OK 73132
405-728-4895
1-800-654-8268
 FAX: 405-728-4878
 info@robertssteplite.com

S-Series Cove Lite

SERIES



Designed for convenience in applications of Cove Lighting
 Six lamps per foot, 2" o.c. spacing
 Specify **.9 Watt Lamps (15,000+ hours)**,
1.8 Watt Lamps (10,000 hours)
or 2.8 Watt Lamps (5,000+ hours)
 Re-lamp capacity for years of continual service
 Low temperature of lamp allows for re-lamping with system on
 Available maximum 20'-0" length for .9 Watt or 1.8 Watt Lamps
 Available maximum 10'-0" length for 2.8 Watt Lamps
 Fixture is available in custom length or may be field cut to shorten
 Fixtures are 24 volt and are supplied with low-voltage transformers
 Widespread light distribution in either horizontal or vertical positions;
 can be used outdoors
 Lamps wired in parallel, mounted in polyvinyl extrusion – ready for installation
 For extra long runs, two 20' lengths can be center fed
 (.9 Watt Lamp and 1.8 Watt Lamp only)
 Can be dimmed on primary side of step-down transformer
 Visible surfaces of the extrusion may be painted to match or
 become a part of the molding design
 Factory kerfing for radius applications (possible additional cost)
 Mounting holes pre-drilled for screw or nail attachment



Designed for convenience in cove lighting applications, Roberts' S-Series extrusions are the perfect solution for highlighting ceiling moldings whose beauty may not be adequately enhanced by normal lighting. The S-Series is available in a choice of lamp wattage, and may be relamped with the system on. As with all Step-Lite Systems, the Roberts staff is available to assist in design, project layout and/or to size transformers for specific projects.

SPECIFY BY CATALOG NUMBERS

	S	- 1.8	- 1E	- 168
TYPE	LAMP CHOICE	POWER FEED	LIGHT LENGTH	
S-Series	.9 Watt or 1.8Watt 2.8 Watt	1E = One End 2E = Both Ends	12" thru 240" 12" thru 120"	

Note: Do Not use 2.8 watt Lamp in shining down application.



©2008

8413 Mantle Avenue
 Oklahoma City, OK 73132
405-728-4895
1-800-654-8268
 FAX: 405-728-4878
 info@robertssteplite.com

RC-Series Step-Lite

12 volt for economical power use
1 watt lamps, 3.8 lumens, 2200K color light
 Designed to conceal safety lighting for carpeted steps
 Heavy duty aluminum extrusion for weight bearing load
 Choice of two lamp spacings: “**EB**” 1.2" oc or the “**STD**” 2" oc lamps
 “EB” lamps max length **10ft.** – “STD” lamps max length **15ft.**
 Custom lengths manufactured to the 1/4" step length
 Each Step-Lite is complete with 18" lead wire at one end for electrical hookup
 Because each project is different, actual stub thru conduit wire location must be located and drilled at job site
 Concrete anchors are available locally
 Field measurements should be taken for manufacturing if possible
 Can also be field shortened if required
10,000 hour lamp life
 Completely dimmable light system
 End caps included
 Easy lamp replacement by removing lens cover
 Wire exit-back can be specified if known (See below)
 If not specified, **will exit back RIGHT end**

LAMPS INCLUDED

Holes for screw mounting can be provided.
Contact factory for information.

Right End



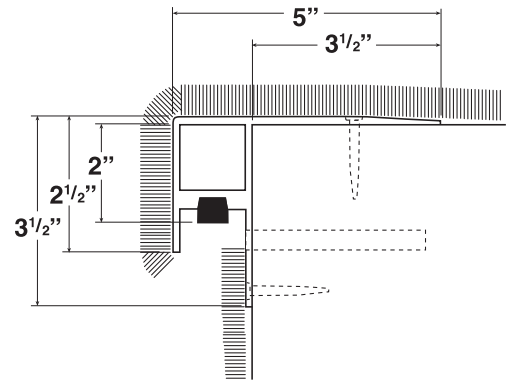
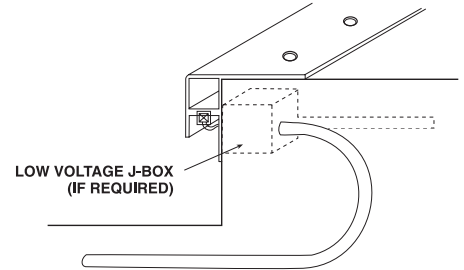
Left End

ORDER/SPECIFY BY CATALOG NUMBERS

RC - STD - 48" - 12v. - RT-END				
TYPE	LAMP SPACING	LIGHT LENGTH	LIGHT Voltage	Wire will exit Back Right or left End
	STD	15' max	12 Volt	
	EB	10' max	Only	

Note: Do Not use 2.8 watt Lamp in shining down application.

SERIES



Roberts RC-Series Step-Lite is designed to conceal safety lighting and extrusion for carpeted steps and provide a dramatic effect in low light areas by isolating special areas of attention.

With these lights, areas requiring lighted steps, such as auditorium and civic center applications, can have both the luxury of carpeting and the accident prevention that public areas require.



©2008

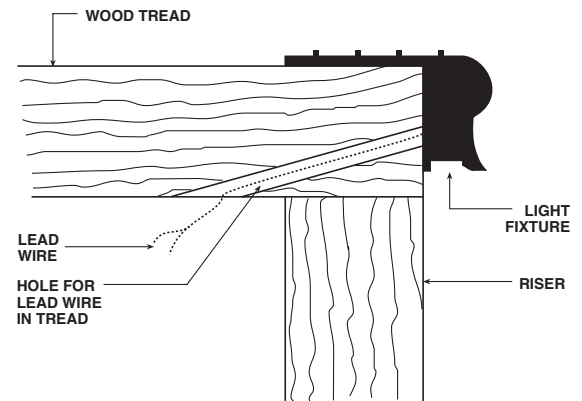
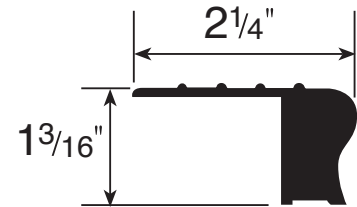
8413 Mantle Avenue
 Oklahoma City, OK 73132
405-728-4895
1-800-654-8268
 FAX: 405-728-4878
 info@robertssteplite.com

RR-Series Step-Lite

- 12 volt for economical power use
- 1 watt lamps, 3.8 lumens, 2200K color light
- Directs light where it is most functional while eliminating glare
- Ideal for eliminating wear on carpet nosing and bull nose wear
- Mounts to step surface with screws, construction adhesive or floor tile adhesive (provided by others)
- Choice of two lamp spacings: "EB" 1.2" oc or the "STD" 2" oc lamps
- Max fixture length is **15ft.** for "STD" lamps and **10ft.** for "EB" lamps
- Custom lengths manufactured to the 1/4" step length
- Each Step-Lite is complete with 18" lead wire at one end for electrical hookup
- Can be used indoors or outdoors.
- Attractive Bronze power coat finish provides aesthetic finish
- Field measurements should be taken for manufacturing if possible
- Can also be field shortened if required
- 10,000** hour lamp life
- Conduit must be in place before pouring to provide wiring raceway
- Completely dimmable light system
- End caps included
- Easy lamp replacement
- Lamps included
- Wire exit-back can be specified if known (See below)
- If not specified, **will exit back RIGHT end**

SERIES

RR



Left End



Right End

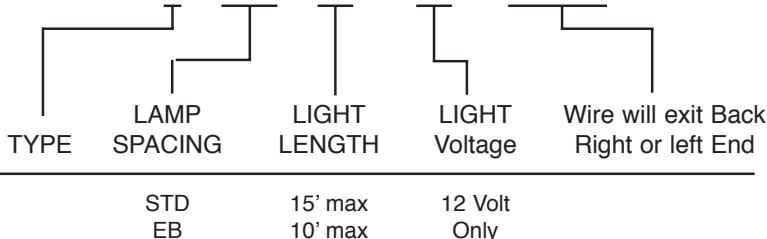
Roberts RR-Series Step-Lite is the "ultimate" solution for aesthetic lighting on existing steps when remodeling or renovating commercial or institutional projects. The attractive bronze-tone color provides an attractive solution even for problem steps.

This Step-Lite system is perfect for illuminating shallow risers that can cause hazardous falls.

The RR-Series is filling the need for retrofitting safety lighting to areas that are known problems.

ORDER/SPECIFY BY CATALOG NUMBERS

RR - STD - 88" - 12v. - RT-END



©2008

8413 Mantle Avenue
Oklahoma City, OK 73132
405-728-4895
1-800-654-8268
FAX: 405-728-4878
info@robertsstleplite.com

RV-Series Step-Lite

For any cast in place material needing indirect safety lighting on lower steps

Step-Lite must be cast into place as step concrete is being poured

Conduit raceway should be sleeved at one end of the step for low voltage wires, back to transformer

Can be used indoors or outdoors

12 Volt for easy installation

1 watt lamps, 3.8 lumens, 2200K color temp

Dimensions of 5/8" tall by 1" wide

Choice of two lamp spacings: "EB" 1.2" oc or the "STD" 2" oc lamp

Max fixture length is **10ft.** for "EB" lamps and **15ft.** for "STD" lamps

Lead wires are 18" long unless specified longer and exit one end

***** Please allow enough time for manufacture and shipping before concrete pouring*****

Any custom light length made to the inch

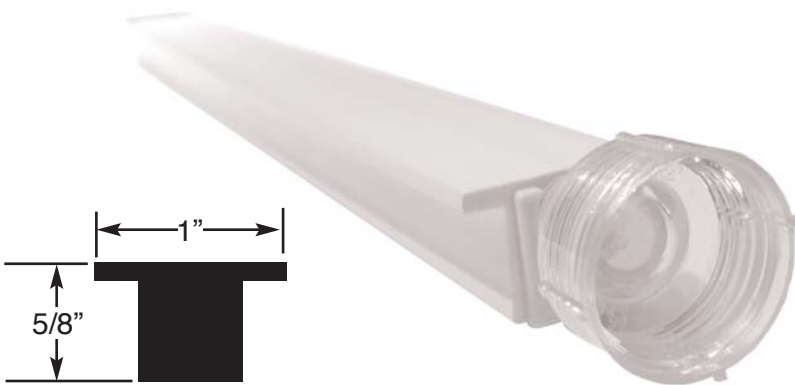
Easy lamp replacement, just remove clear lens

Step lights can be field shortened if required

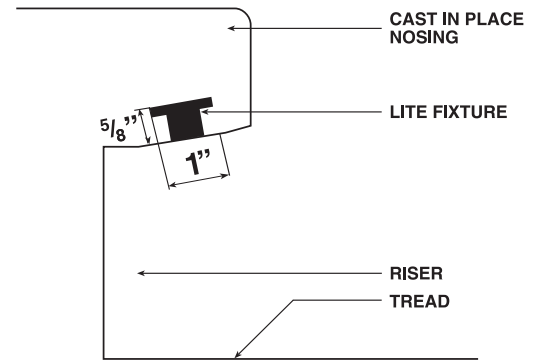
If your project requires corner turns, please consult factory

- **10,000** hour rated lamp life

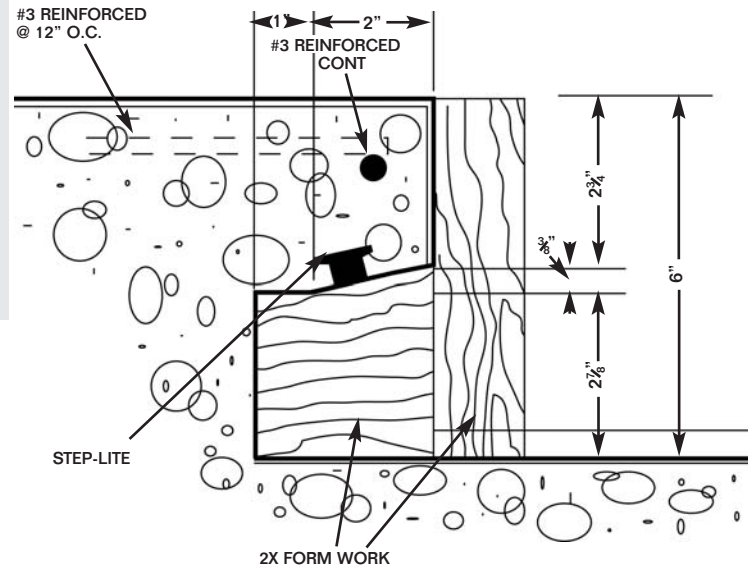
- **LAMPS INCLUDED**



SERIES **RV**

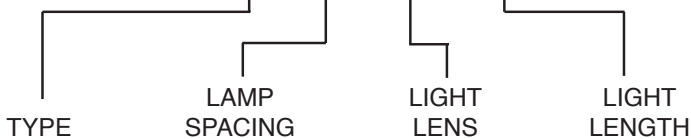


RV-Series Installation Detail



ORDER/SPECIFY BY CATALOG NUMBERS

RV - EB - CL - 120



RV-Series max length "STD" 15ft. max length "EB" 10ft. Clear-CL Frosted-FS Order custom lengths to the inch required



©2008

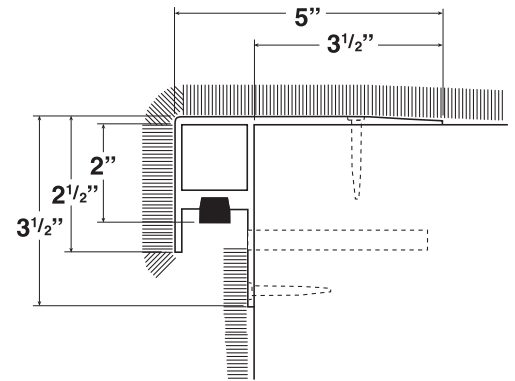
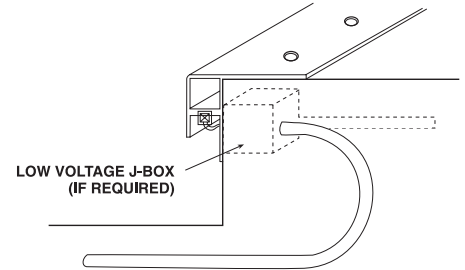
8413 Mantle Avenue
Oklahoma City, OK 73132
405-728-4895
1-800-654-8268
FAX: 405-728-4878
info@robertssteplite.com

RC-LED Step-Lite

- Designed to conceal safety lighting for carpeted steps
- Heavy duty aluminum extrusion for weight bearing load
- Choice of Day White 6500K or Warm White 2850K
- Max length **15ft.**
- Custom lengths manufactured to the 1/4" of step width
- Each Step-Lite is complete with 18" lead wire at one end for electrical hookup
- Because each project is different, actual stub thru conduit wire location must be located and drilled at job site
- Concrete anchors are available locally
- Field measurements should be taken for manufacturing if possible
- Approx. **50,000** hour lamp life
- Completely dimmable light system
- End caps included
- Wire exit-back can be specified if known (See below)
- If not specified, **will exit back RIGHT end**
- **23 Lumens per LED**
- **1.10 watt per foot** for economical power use
- **Order 12Vdc Driver separately**
- **Custom order red or blue LED's**

SERIES

RC-LED



Holes for screw mounting can be provided.
Contact factory for information.

Right End

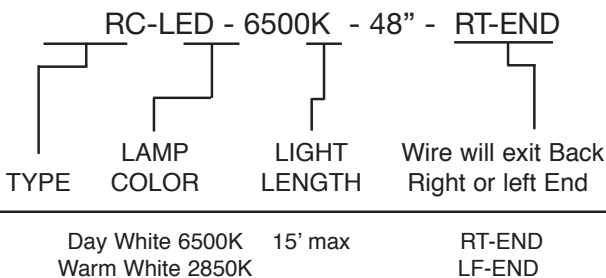


Left End

Roberts RC-Series Step-Lite is designed to conceal safety lighting and extrusion for carpeted steps and provide a dramatic effect in low light areas by isolating special areas of attention.

With these lights, areas requiring lighted steps, such as auditorium and civic center applications, can have both the luxury of carpeting and the accident prevention that public areas require.

ORDER/SPECIFY BY CATALOG NUMBERS



©2008

8413 Mantle Avenue
 Oklahoma City, OK 73132
405-728-4895
1-800-654-8268
 FAX: 405-728-4878
 info@robertssteplite.com

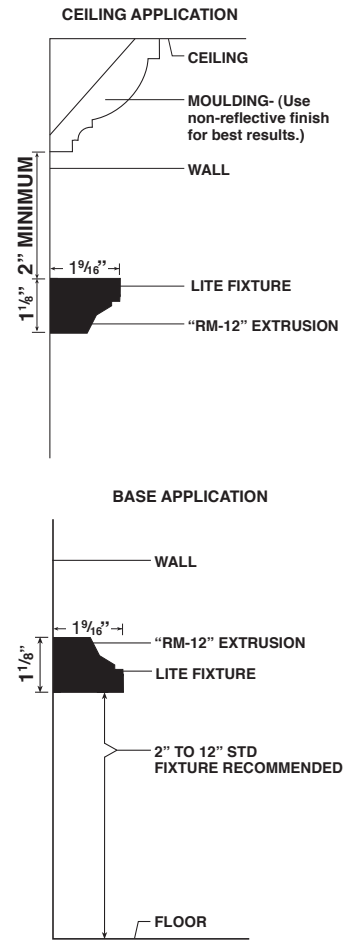
RM-12-LED Cove Lite

SERIES

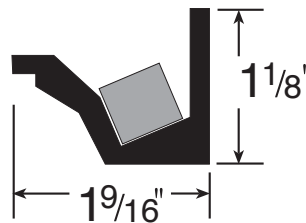
RM-12-LED

Slim profile cove accent lighting with decorative white molding included. Moldings can be field painted or stained to clients color choice. Miter cuts both inside and outside are easily accomplished at job site. Day White LED/6500K or Warm White 2850K
 Approx. **50,000** hour lamp life
 Cove light system is completely dimmable for creating just the right amount of accent lighting.
 Maximum light length is 15ft.
 Accent cove molding can be ordered and pre-shipped in bulk for installation before ordering light from field measurements.
 Light system is 12 volt dc and requires LED driver. Drivers are installed remotely with secondary wiring running back to the light locations. With room dimensions supplied, Roberts will be happy to aid in working out power point locations for your room dimensions.

- **23 Lumens per LED**
- **1.10 watt per foot** for economical power use
- **Order 12Vdc Driver separately**



End caps Provided



Roberts RM-12 Series Cove lighting is designed for wall mounting to direct soft glow lighting up toward the ceiling or down toward the floor. The RM-12 Series is the perfect choice to enhance and highlight the beauty of a particular style of moldings, or to provide corridor lighting for special effect and safety of movement.

SPECIFY BY CATALOG NUMBERS

RM-12-LED	6500K	114"	12Vdc
TYPE	LAMP COLOR	LIGHT LENGTH	VOLTAGE
RM-12 LED Cove Lighting	6500K Day White 2850K Warm White	Make Light 114" Long	Available In 12 Volt dc Only



©2008

Patent Pending

8413 Mantle Avenue
 Oklahoma City, OK 73132
405-728-4895
1-800-654-8268
 FAX: 405-728-4878
info@robertssteplite.com

RV-LED Series Step-Lite

For any cast in place material needing indirect safety lighting on lower steps

Step-Lite must be cast into place as step concrete is being poured

Conduit raceway should be sleeved at one end of the step for low voltage wires, back to transformer. Conduit fitting supplied.

Can be used indoors or outdoors

12 Volt dc for easy installation

Choice of 6500K Day White or 2850K Warm White

Dimensions of 3/4" tall by 1 5/16" wide

Max fixture length is **15ft.**

Lead wires are 18" long unless specified longer and exit one end

***** Please allow enough time for manufacture and shipping before concrete pouring*****

Any custom light length made to the inch

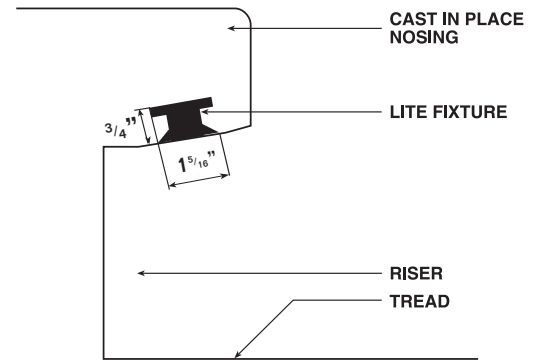
If your project requires corner turns, please consult factory

Approx. **50,000** hour rated lamp life

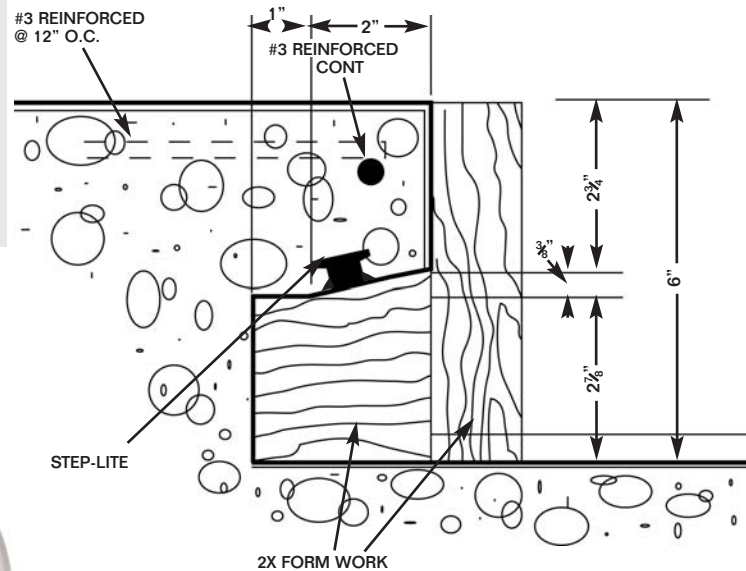
- **23 Lumens per LED**
- **1.10 watt per foot** for economical power use
- **Order 12Vdc Driver separately**

SERIES

RV-LED



RV-Series Installation Detail



ORDER/SPECIFY BY CATALOG NUMBERS

RV-LED - 2850K - CL - 120



RV-LED Series	6500K Day White 2850K Warm White	Clear-CL Frosted-FS	Order custom lengths to the inch required
---------------	-------------------------------------	------------------------	---



©2008

8413 Mantle Avenue
Oklahoma City, OK 73132
405-728-4895
1-800-654-8268
FAX: 405-728-4878
info@robertssteplite.com

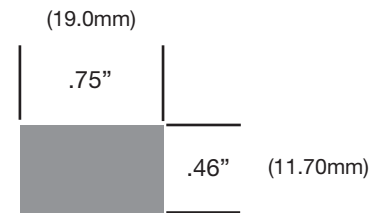
Series RW-12-LED

- Max Light Length is 15ft Long
- Custom Lengths Manufactured to the INCH
- Day White LED/6500K or Warm White 2850K
- White housing extruded UV stabilized plastic
- 1"oc LED spacing
- 120 degree viewing angle
- Approx. **50,000** lamp life
- Dry/Damp Rated
- Slim line contour of continuous light
- Clear or Frosted Polycarbonate lens UV stable
- Power leads are 18 inches long
- White mounting clips included
- UL 94-VO flammability rated
- **23 Lumens per LED**
- **1.10 watt per foot** for economical power use
- **Order 12Vdc Driver separately**

SERIES **RW-12-LED**

Uses:

display, niche, bookcase, Kitchen Cabinet, cove, step lighting



ACTUAL SIZE

Light-Emitting Diodes (LEDs) are solid-state semiconductor devices that convert electrical energy directly into visible light. The low profile housing enables luminous intensities for architectural details such as casework, niches, coves and handrails applications.



ORDER/SPECIFY BY CATALOG NUMBERS

RW-12-LED - 2850K - CL - 180"



Note: Max light length is 15ft. long



8413 Mantle Avenue
Oklahoma City, OK 73132
405-728-4895
1-800-654-8268
FAX: 405-728-4878
info@robertssteplite.com