

RC-Series Step-Lite

- 12 volt** for economical power use
- 1 watt** lamps, 3.8 lumens, 2200K color light
- Designed to conceal safety lighting for carpeted steps
- Heavy duty aluminum extrusion for weight bearing load
- Choice of two lamp spacings: “**EB**” 1.2" oc or the “**STD**” 2" oc lamps
- “**EB**” lamps max length **10ft.** – “**STD**” lamps max length **15ft.**
- Custom lengths manufactured to the 1/4" step length
- Each Step-Lite is complete with 18" lead wire at one end for electrical hookup
- Because each project is different, actual stub thru conduit wire location must be located and drilled at job site
- Concrete anchors are available locally
- Field measurements should be taken for manufacturing if possible
- Can also be field shortened if required
- 10,000** hour lamp life
- Completely dimmable light system
- End caps included
- Easy lamp replacement by removing lens cover
- Wire exit-back can be specified if known (See below)
- If not specified, **will exit back RIGHT end**

LAMPS INCLUDED

Holes for screw mounting can be provided.
Contact factory for information.

Right End



Left End

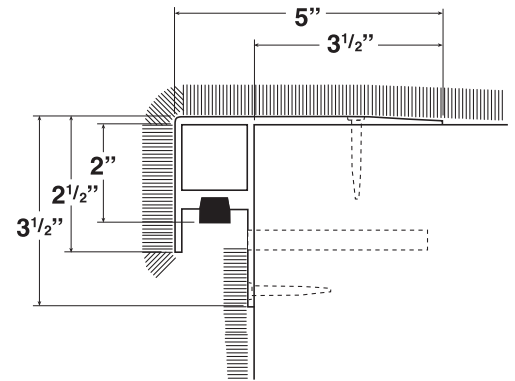
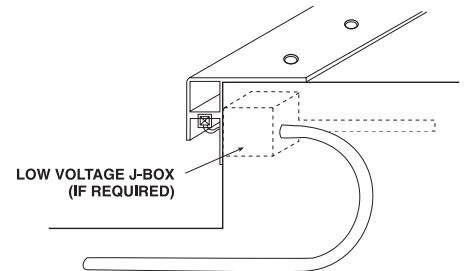
ORDER/SPECIFY BY CATALOG NUMBERS

RC - STD - 48" - 12v. - RT-END

TYPE	LAMP SPACING	LIGHT LENGTH	LIGHT Voltage	Wire will exit Back Right or left End
STD	2"	15' max	12 Volt	
EB	1.2"	10' max	Only	

Note: Do Not use 2.8 watt Lamp in shining down application.

SERIES



Roberts RC-Series Step-Lite is designed to conceal safety lighting and extrusion for carpeted steps and provide a dramatic effect in low light areas by isolating special areas of attention.

With these lights, areas requiring lighted steps, such as auditorium and civic center applications, can have both the luxury of carpeting and the accident prevention that public areas require.



©2008

8413 Mantle Avenue
 Oklahoma City, OK 73132
405-728-4895
1-800-654-8268
 FAX: 405-728-4878
 info@robertssteplite.com