

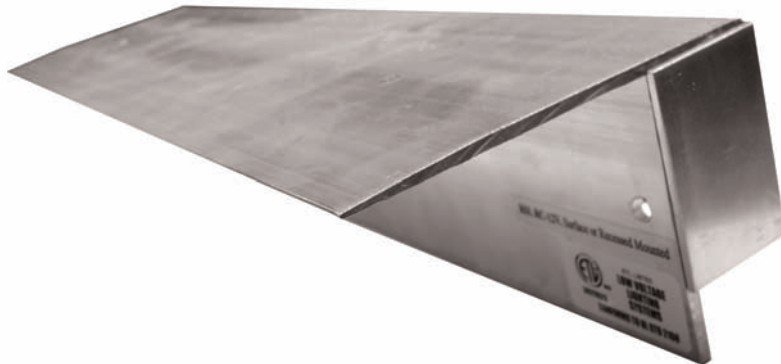
RC-LED Step-Lite

Designed to conceal safety lighting for carpeted steps
 Heavy duty aluminum extrusion for weight bearing load
 Choice of Day White 6500K or Warm White 2850K
 Max length **15ft.**
 Custom lengths manufactured to the 1/4" of step width
 Each Step-Lite is complete with 18" lead wire at one end for electrical hookup
 Because each project is different, actual stub thru conduit wire location must be located and drilled at job site
 Concrete anchors are available locally
 Field measurements should be taken for manufacturing if possible
 Approx. **50,000** hour lamp life
 End caps included
 Wire exit-back can be specified if known (See below)
 If not specified, **will exit back RIGHT end**

- **23 Lumens per LED**
- **4.0 watts per foot** for economical power use
- **Order 12Vdc Driver separately**
- **Custom order red or blue LED's**

**Holes for screw mounting can be provided.
 Contact factory for information.**

Right End

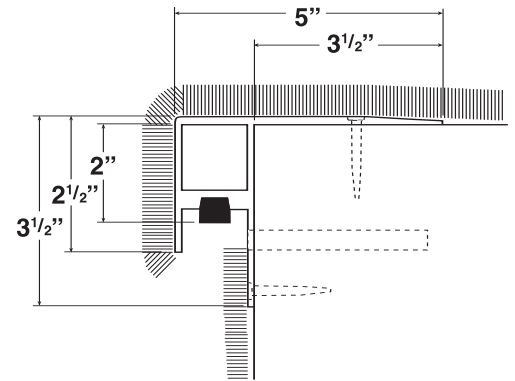
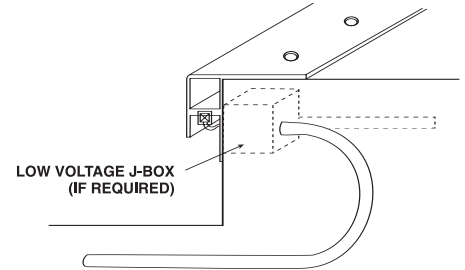


Left End

ORDER/SPECIFY BY CATALOG NUMBERS

TYPE	LAMP COLOR	LIGHT LENGTH	Wire will exit Back Right or left End
RC-LED - 6500K - 48" - RT-END			
Day White 6500K	15' max	RT-END	
Warm White 2850K		LF-END	

SERIES



Roberts RC-Series Step-Lite is designed to conceal safety lighting and extrusion for carpeted steps and provide a dramatic effect in low light areas by isolating special areas of attention.

With these lights, areas requiring lighted steps, such as auditorium and civic center applications, can have both the luxury of carpeting and the accident prevention that public areas require.



©2008

8413 Mantle Avenue
 Oklahoma City, OK 73132
405-728-4895
1-800-654-8268
 FAX: 405-728-4878
 info@robertssteplite.com