

## RV-Series Step-Lite

For any cast in place material needing indirect safety lighting on lower steps

Step-Lite must be cast into place as step concrete is being poured

Conduit raceway should be sleeved at one end of the step for low voltage wires, back to transformer

Can be used indoors or outdoors

**12 Volt** for easy installation

**1 watt** lamps, 3.8 lumens, 2200K color temp

Dimensions of 5/8" tall by 1" wide

Choice of two lamp spacings: "EB" 1.2" oc or the "STD" 2" oc lamp

Max fixture length is **10ft.** for "EB" lamps and **15ft.** for "STD" lamps

Lead wires are 18" long unless specified longer and exit one end

**\*\*\* Please allow enough time for manufacture and shipping before concrete pouring\*\*\***

Any custom light length made to the inch

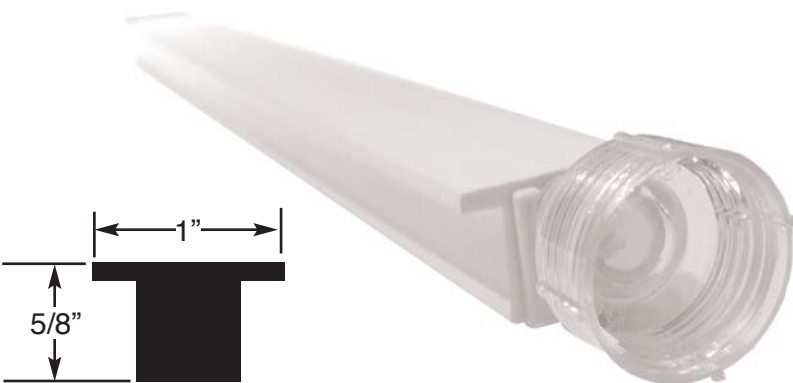
Easy lamp replacement, just remove clear lens

Step lights can be field shortened if required

If your project requires corner turns, please consult factory

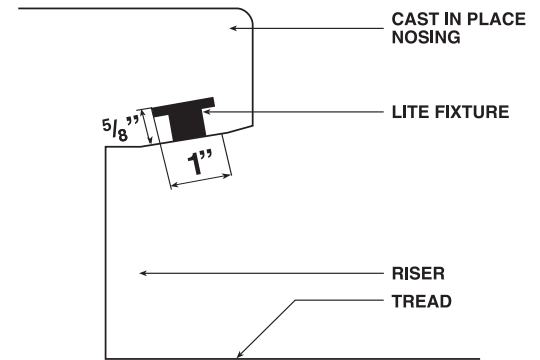
• **10,000** hour rated lamp life

• **LAMPS INCLUDED**

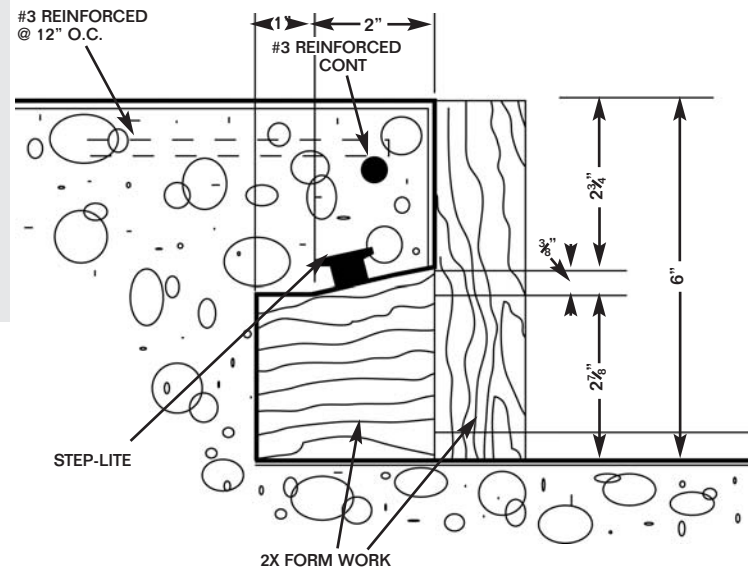


SERIES

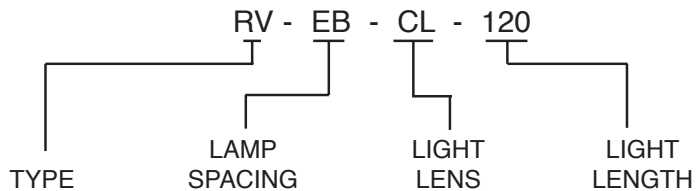
**RV**



## RV-Series Installation Detail



### ORDER/SPECIFY BY CATALOG NUMBERS



RV-Series      max length "STD" 15ft.  
max length "EB" 10ft.      Clear-CL      Order custom lengths  
Frosted-FS      to the inch required



©2008

8413 Mantle Avenue  
Oklahoma City, OK 73132  
**405-728-4895**  
**1-800-654-8268**  
FAX: 405-728-4878  
info@robertssteplite.com