

RV-LED Series Step-Lite

For any cast in place material needing indirect safety lighting on lower steps

Step-Lite must be cast into place as step concrete is being poured
Conduit raceway should be sleeved at one end of the step for low voltage wires, back to transformer. Conduit fitting supplied.

Dry/Damp Rated

12 Volt dc for easy installation

Choice of 6500K Day White or 2850K Warm White

Dimensions of 3/4" tall by 1 5/16" wide

Max fixture length is **15ft.**

Lead wires are 18" long unless specified longer and exit one end

***** Please allow enough time for manufacture and shipping before concrete pouring*****

Any custom light length made to the inch

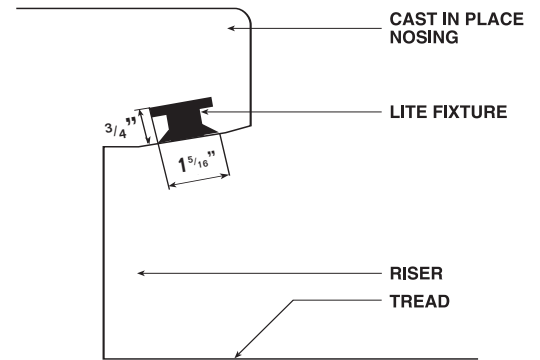
If your project requires corner turns, please consult factory

Approx. **50,000** hour rated lamp life

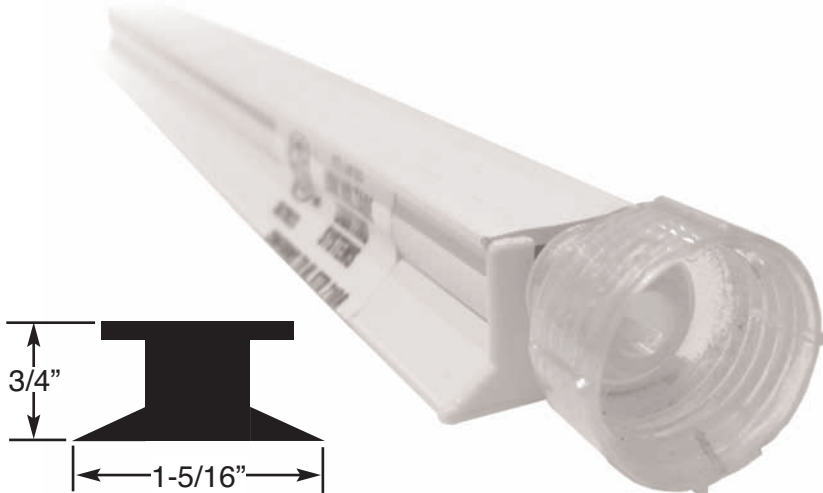
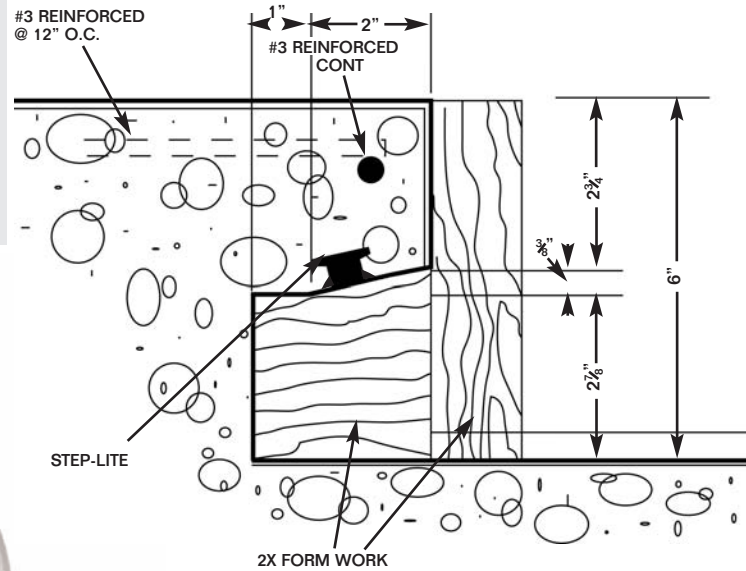
- **23 Lumens per LED**
- **4.0 watts per foot** for economical power use
- **Order 12Vdc Driver separately**

SERIES

RV-LED



RV-Series Installation Detail



ORDER/SPECIFY BY CATALOG NUMBERS

RV-LED - 2850K - CL - 120



RV-LED Series	6500K Day White 2850K Warm White	Clear-CL Frosted-FS	Order custom lengths to the inch required
---------------	-------------------------------------	------------------------	---



©2008

8413 Mantle Avenue
Oklahoma City, OK 73132
405-728-4895
1-800-654-8268
FAX: 405-728-4878
info@robertssteplite.com