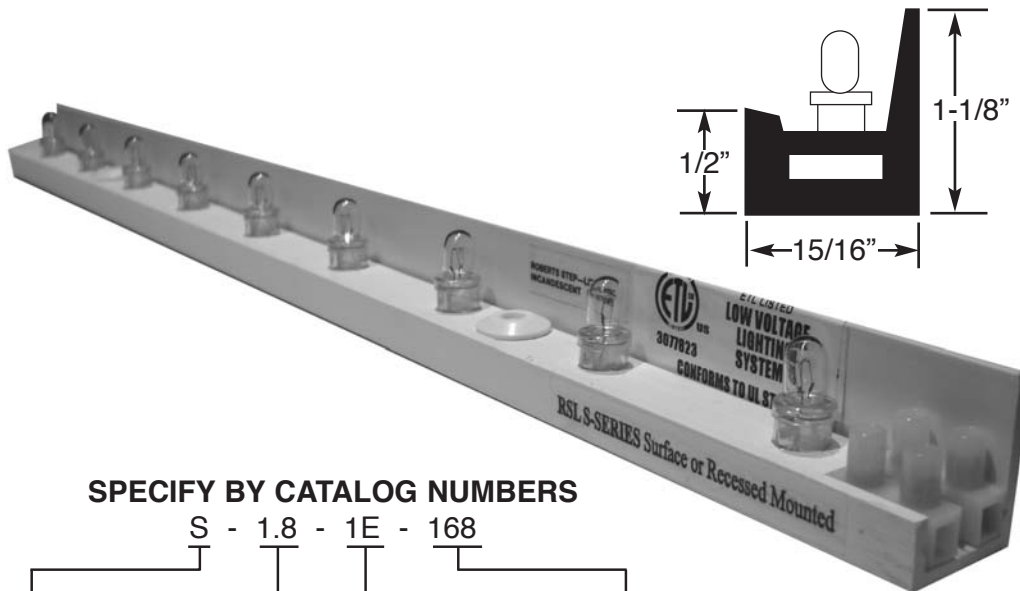
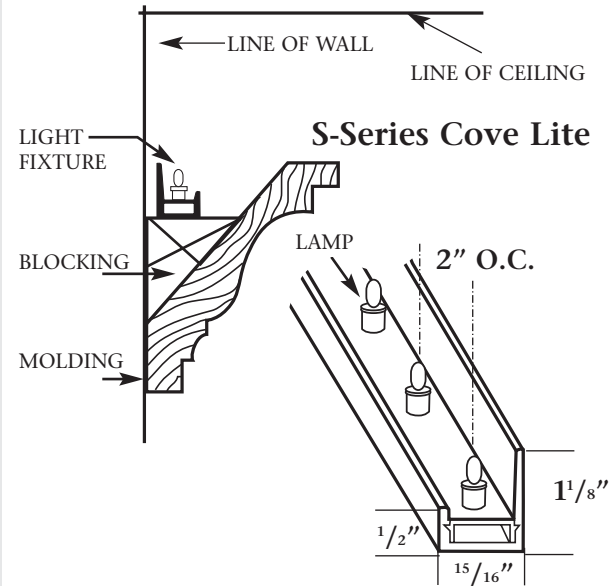


S-Series Cove Lite

SERIES



Designed for convenience in applications of Cove Lighting
 Six lamps per foot, 2" o.c. spacing
 Specify **.9 Watt Lamps (15,000+ hours)**,
1.8 Watt Lamps (10,000 hours)
or 2.8 Watt Lamps (5,000+ hours)
 Re-lamp capacity for years of continual service
 Low temperature of lamp allows for re-lamping with system on
 Available maximum 20'-0" length for .9 Watt or 1.8 Watt Lamps
 Available maximum 10'-0" length for 2.8 Watt Lamps
 Fixture is available in custom length or may be field cut to shorten
 Fixtures are 24 volt and are supplied with low-voltage transformers
 Widespread light distribution in either horizontal or vertical positions;
 can be used outdoors
 Lamps wired in parallel, mounted in polyvinyl extrusion – ready for installation
 For extra long runs, two 20' lengths can be center fed
 (.9 Watt Lamp and 1.8 Watt Lamp only)
 Can be dimmed on primary side of step-down transformer
 Visible surfaces of the extrusion may be painted to match or
 become a part of the molding design
 Factory kerfing for radius applications (possible additional cost)
 Mounting holes pre-drilled for screw or nail attachment



Designed for convenience in cove lighting applications, Roberts' S-Series extrusions are the perfect solution for highlighting ceiling moldings whose beauty may not be adequately enhanced by normal lighting. The S-Series is available in a choice of lamp wattage, and may be relamped with the system on. As with all Step-Lite Systems, the Roberts staff is available to assist in design, project layout and/or to size transformers for specific projects.

SPECIFY BY CATALOG NUMBERS

	S	- 1.8	- 1E	- 168
TYPE	LAMP CHOICE	POWER FEED	LIGHT LENGTH	
S-Series	.9 Watt or 1.8Watt 2.8 Watt	1E = One End 2E = Both Ends	12" thru 240" 12" thru 120"	

Note: Do Not use 2.8 watt Lamp in shining down application.



©2008

8413 Mantle Avenue
 Oklahoma City, OK 73132
405-728-4895
1-800-654-8268
 FAX: 405-728-4878
 info@robertssteplite.com