



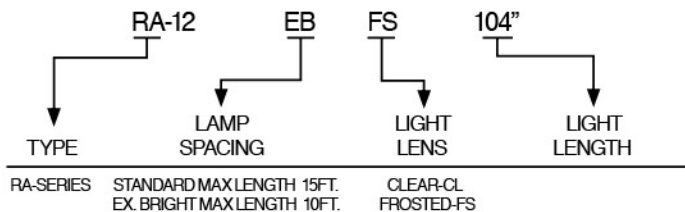
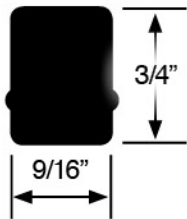
# CUSTOM LOW VOLTAGE LIGHTING

## SERIES RA12

### Slimline Step Light

- Low temperature, warm to the touch
- 12 Volt for economical power use
- 1 watt lamps, 3.8 lumens, 2200K color temperature
- Choice of two lamp spacings:
  - "EB" 1.2" oc (max length 10ft.)
  - "STD" 2" oc (max length 15ft.)
- Easy to replace lamps (included) for years of service
  - 10,000 hour average lifetime
- Custom lengths manufactured to the nearest 1/4 inch
- Completely dimmable light system
- Can be mounted with mounting clips (included) or silicone adhesive
- Dry/Damp Rated
- UL 94-VO flammability rated
- Can be powered with either AC or DC power source
- Lead wires are 18", unless ordered longer

The RA 12 Slim Line provides a narrow contour of continuous light for applications that specify the illumination of cabinets, displays/fixtures, railing, handrails, covers, and soffits. Any decor application that requires beautiful illumination in a manageable form is a great match for the RA 12.



**ORDER/SPECIFY BY CATALOG NUMBERS**



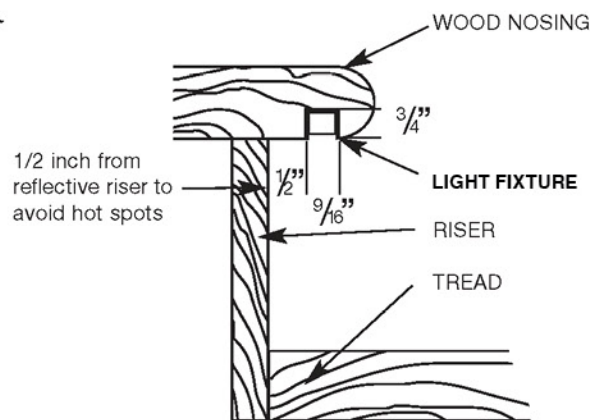
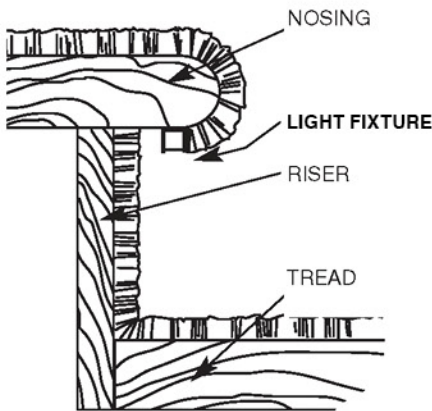


# CUSTOM LOW VOLTAGE LIGHTING

SERIES

# RA12

## Slimline Step Light



ETL listed Transformers are NEMA-R3 rated 120/12v and, rated for indoor/outdoor use. The heavy gauge steel enclosure resists weather and corrosion. Special voltages and secondary breaker configurations are available. Please call us for more information.

MODEL	DESCRIPTION	TYPE
100va	10A breaker (max load 80 watts)	Indoor- Outdoor
150va	15A breaker (max load 120 watts)	Indoor- Outdoor
250va	25A breaker (max load 200 watts)	Indoor- Outdoor
500va	2-25A breakers (max load 400 watts)	Indoor- Outdoor
750va	3-25A breakers (max load 600 watts)	Indoor- Outdoor
1000va	4-25A breakers (max load 800 watts)	Indoor- Outdoor

12 VOLT

LAMP SPACING	COLOR TEMPERATURE	SPACING (O.C.)	WATTS/FOOT	LUMENS/FOOT
Standard (STD)	2200K	2"	6	22.8
Extra Bright (EB)	2200K	1.2"	10	38

■ The RSL team will be happy to help with establishing power point locations for your project



ROBERTS STEP-LITE SYSTEMS ■ 8100 SW 15th St. ■ Oklahoma City, OK 73128  
 info@robertsstemplite.com ■ www.robertsstemplite.com  
 405.728.4895 ■ 800.654.8268 ■ F: 405.728.4878

