



CUSTOM LOW VOLTAGE LIGHTING

SERIES **RC12**

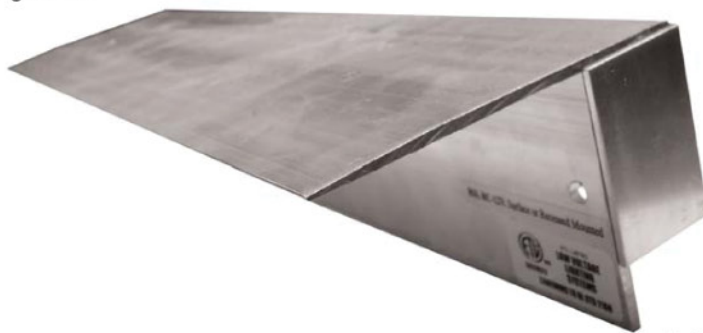
Stair Nosing-Carpet Step Light

- Completely dimmable light system
- 12 Volt for economical power use
- 1 watt lamps, 3.8 lumens, 2200K color temperature
- Choice of two lamp spacings:
 - "EB" 1.2" oc (max length 10ft.)
 - "STD" 2." oc (max length 15ft.)
- Easy to replace lamps (included) for years of service
 - 10,000 hour average lifetime
- Any custom light length made to the nearest 1/4 inch
 - Field measurements should be provided
 - End caps included
- Lead wires exit one end and are 18" long unless specified longer
 - Wire exit-back can be specified if known; (See below)
 - **If not specified, leads will exit back RIGHT END**
- Actual stub thru conduit wire location must be located and drilled at job site

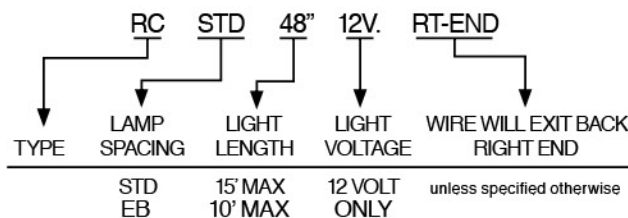
The RSL RC 12 Stair Nosing-Carpet Series is designed to conceal lighting and extruded stair nosing for carpeted steps and provide a dramatic effect in low light areas by isolating special areas of attention. The heavy duty aluminum provides years of strength and durability. With these fixtures, areas requiring lighted steps, such as auditorium and theater applications, can have both the luxury of carpeting and beauty of illumination that public areas require.

Holes for screw mounting can be provided.
Contact factory for information.

Right End



Left End



ORDER/SPECIFY BY CATALOG NUMBERS



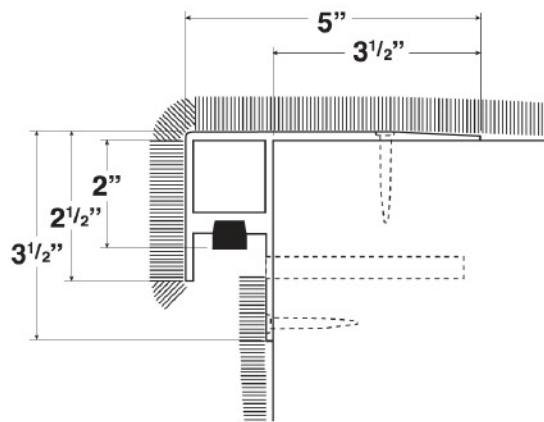
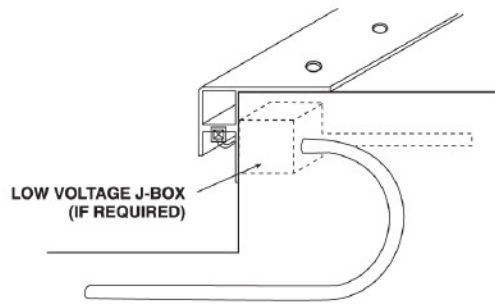


CUSTOM LOW VOLTAGE LIGHTING

Stair Nosing-Carpet Step Light

SERIES **RC12**

ETL listed Transformers are NEMA-R3 rated 120/12v and, rated for indoor/outdoor use. The heavy gauge steel enclosure resists weather and corrosion. Special voltages and secondary breaker configurations are available. Please call us for more information.



12 VOLT	MODEL	DESCRIPTION	TYPE
	100va	10A breaker (max load 80 watts)	Indoor- Outdoor
	150va	15A breaker (max load 120 watts)	Indoor- Outdoor
	250va	25A breaker (max load 200 watts)	Indoor- Outdoor
	500va	2-25A breakers (max load 400 watts)	Indoor- Outdoor
	750va	3-25A breakers (max load 600 watts)	Indoor- Outdoor
	1000va	4-25A breakers (max load 800 watts)	Indoor- Outdoor

LAMP SPACING	COLOR TEMPERATURE	SPACING (O.C.)	WATTS/FOOT	LUMENS/FOOT
Standard (STD)	2200K	2"	6	22.8
Extra Bright (EB)	2200K	1.2"	10	38

■ The RSL team will be happy to help with establishing power point locations for your project



ROBERTS STEP-LITE SYSTEMS ■ 8100 SW 15th St. ■ Oklahoma City, OK 73128
 info@robertsstemplite.com ■ www.robertsstemplite.com
 405.728.4895 ■ 800.654.8268 ■ F: 405.728.4878

