



INSTALLATION INSTRUCTIONS

RC Stair Nosing - Carpet Step Light

Voltage/ Power Supply:

LED

- **12v DC**
- Powered by Magnetic Low Voltage Drivers
- Polarity sensitive
(red or black is positive, white or blue is negative)
 - If lights don't illuminate, try reversing leads.
 - Restore electricity & check operation of fixture.

INCANDESCENT

- **12v AC**
- Both Standard (STD) & Extra Bright (EB)
- Powered by Magnetic Low Voltage Transformers

Fixtures are packed in plastic bags for protection during the shipping process. Please note tagging code if required.

**! DISCONNECT THE POWER BY TURNING OFF
CIRCUIT BREAKER OR REMOVING FUSE AT FUSE BOX !**

! Do not plug the fixtures directly into the electrical outlet !

Installation:

The area should be neat, clean, dry, and free from any chemical residue prior to mounting/ installation. For best results, use a high quality construction adhesive or sealant. RSL recommends using mechanical fasteners when possible. Screws should secure the fixture to tread surface of the step. **Pre-drilled holes for mounting must be requested prior to shipping.**

cont...



ROBERTS STEP-LITE SYSTEMS ■ 8100 SW 15th St. ■ Oklahoma City, OK 73128
info@robertsstemplite.com ■ www.robertsstemplite.com
405.728.4895 ■ 800.654.8268 ■ F: 405.728.4878





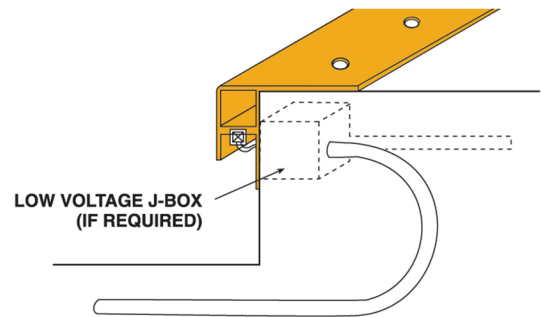
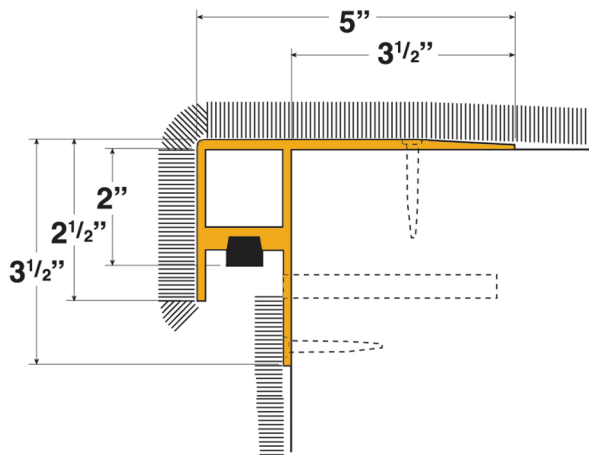
RC

Stair Nosing - Carpet Step Light continued

Special Notes:

All electrical connections must be in accordance with local codes, ordinances, or the national electrical code. If you are unfamiliar with methods of installing electrical wiring, retain the service of a qualified licensed Electrician. Before starting the installation, disconnect the power by turning off the circuit breaker or removing the fuse from the fuse box. Turning off the light switch is not sufficient to prevent electrical shock.

Connect the wires from the fixture to the low voltage wires from the power supply. Use UL/CSA listed connectors suitable for the size and type of wire. No loose strands or loose connections should be present.



Any questions on voltage type, maximum wattage, or re-lamping, please call or contact us at:



ROBERTS STEP-LITE SYSTEMS ■ 8100 SW 15th St. ■ Oklahoma City, OK 73128
info@robertsstemplite.com ■ www.robertsstemplite.com
405.728.4895 ■ 800.654.8268 ■ F: 405.728.4878

