



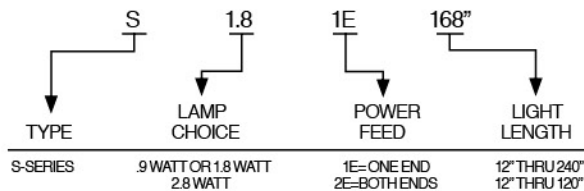
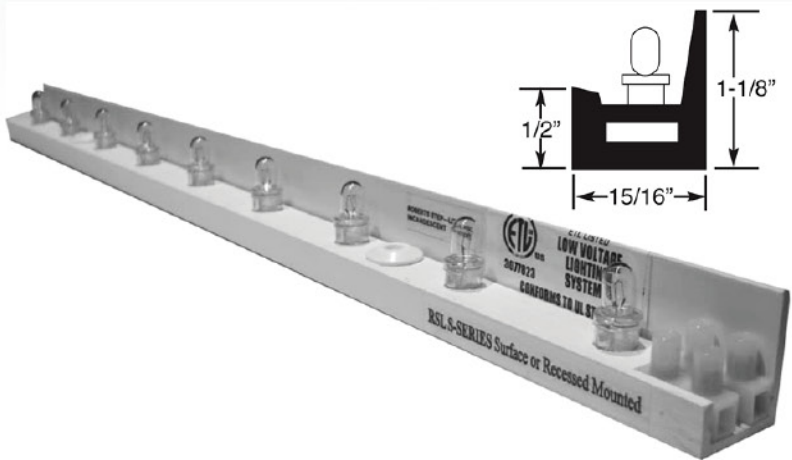
# CUSTOM LOW VOLTAGE LIGHTING

SERIES **S**

## Wide Array Cove Light

- Easy to replace lamps (included) for years of service:
  - .9 Watt: 15,000+ hours
  - 1.8 Watt: 10,000 hours
  - 2.8 Watt: 5,000+ hours
- Fixture is available in custom lengths:
  - Max. length of 20'-0" with .9 Watt or 1.8 Watt lamps
  - Max. length of 10'-0" with for 2.8 Watt lamps
- Fixtures are 24 Volt.
- Can be dimmed on primary side of step-down transformer
- Lamps are wired in parallel: installation-ready mounted in polyvinyl extrusion
- Visible surfaces of the extrusion may be painted to match molding design
- Factory kerfing for radius applications (possible additional cost)
- Mounting holes pre-drilled for screw or nail attachment

Designed for convenience in wide cove lighting applications, RSL's S-Series extrusion is the perfect solution for highlighting ceiling moldings whose beauty may not be adequately enhanced by a focused range of lighting. The S-Series is available in a choice of lamp wattage, and may be re-lamped with the system engaged. The RSL staff is available and happy to assist in design, project layout, and/or to size transformers for specific projects.



**NOTE:**  
DO NOT USE  
2.8 WATT LAMP  
IN A DOWN  
LIGHTING  
APPLICATION

**ORDER/SPECIFY BY  
CATALOG NUMBERS**

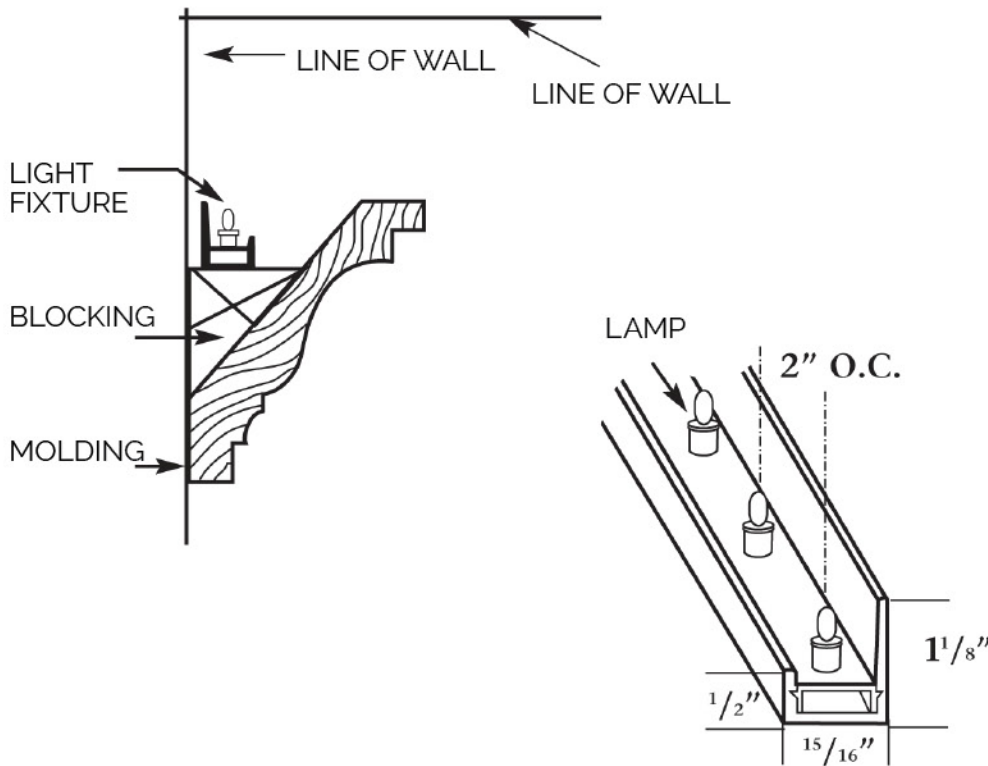




# CUSTOM LOW VOLTAGE LIGHTING

SERIES **S**

## Wide Array Cove Light



ETL listed Transformers are NEMA-R3 rated 120/24v and rated for indoor/outdoor use. The heavy gauge steel enclosure resists weather and corrosion. Special voltages and secondary breaker configurations are available. Please call us for more information.

24 VOLT	MODEL	DESCRIPTION	TYPE
	100va	5A breaker (max load 80 watts)	Indoor- Outdoor
	150va	7A breaker (max load 120 watts)	Indoor- Outdoor
	250va	12A breaker (max load 200 watts)	Indoor- Outdoor
	500va	25A breakers (max load 400 watts)	Indoor- Outdoor
	750va	2-25A breakers (max 300 watts/breaker)	Indoor- Outdoor
	1000va	2-25A breakers (max 480 watts/breaker)	Indoor- Outdoor

LAMP WATTAGE	LUMENS	COLOR TEMPERATURE	SPACING (O.C.)	WATTS/FOOT	LUMENS/FOOT
.9	1.8	2200K	2"	5.4	10.8
1.8	3.8	2200K	2"	10.8	22.8
2.8	12	2200K	2"	16.8	72

■ The RSL team will be happy to help with establishing power point locations for your project



ROBERTS STEP-LITE SYSTEMS ■ 8100 SW 15th St. ■ Oklahoma City, OK 73128  
 info@robertsstemplite.com ■ www.robertsstemplite.com  
 405.728.4895 ■ 800.654.8268 ■ F: 405.728.4878

