

Roberts Step-Lite

Wireless Adjustable Shelf Light System



Roberts Step-Lite

ROBERTS STEP-LITE SYSTEMS | 8100 SW 15TH STREET • OKLAHOMA CITY, OK 73128

405.728.4895 • f: 405.728.4878 • 800.654.8268 • robertssteplite.com • info@robertssteplite.com



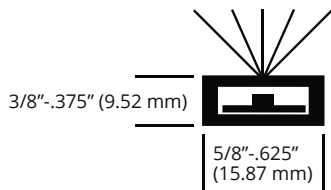
CUSTOM LOW VOLTAGE LIGHTING

Wireless Adjustable Shelf Light

SERIES ADJUSTABLE SHELF LIGHT

- Slim line contour of continuous light in our lowest profile housing
 - 120 degree viewing angle
- Custom lights manufactured to the nearest 1/4 inch
- Maximum fixture length is 15 feet
- 12v DC or 24v DC LED options available
 - 50,000 hour average lifetime
- Completely dimmable light system
 - Dimmable and non-dimmable drivers are available
 - Drivers are installed remotely with secondary wiring running back to the light locations
- Housing is white extruded UV-stabilized plastic
 - Clear or frosted lens cover with UV inhibitors
 - Can be mounted with mounting clips (included), VHB tape or silicone adhesive
- UL 94-VO flammability rated
- Wireless Shelf Light with spring-loaded contacts allowing for easy shelf adjustment
- **Suitable for installation in the storage area of a clothes closet**

The RSL Adjustable Shelf Light provides convenient versatility anywhere a lighted shelf is desired. The Adjustable Shelf Light is essential for visually enhancing retail spaces, public display cases, wine cellars or personal collections. The durable low profile housing can be custom fabricated to any length. The Adjustable Shelf Light is completely dimmable and enables various luminescent details to highlight craftsmanship and artistry.



BRASS CONTACT BAR

CLEAR

FROSTED

SHELF LIGHT PROJECT:



ASL - 24 - 2700K - 240/m - 5w/m - 91" - FL
 Fixture Type Voltage Color LED/m Watts/m Length Lens

CL FL
 Clear or Frosted





CUSTOM LOW VOLTAGE LIGHTING

Standard (12vdc) LED options *Great for circuits requiring up to 60w.

CCT/COLOR	LED/M	LED SPACING	POWER CONSUMPTION	LUMEN OUTPUT +/- 10%	CRI
2700K	60	.66"	1.5w/ft - 5w/m	95/ft - 316/m	80+
2700K	78	.50"	2w/ft - 6.4w/m	123/ft - 410/m	80+
2700K	120	.33"	3w/ft - 10w/m	382/ft - 1275/m	90+
3000K	60	.66"	1.5w/ft - 5w/m	116/ft - 387/m	80+
3000K	78	.50"	2w/ft - 6.4w/m	120/ft - 401/m	80+
3000K	120	.33"	3w/ft - 10w/m	375/ft - 1255/m	90+
3500K	120	.33"	3w/ft - 10w/m	401/ft - 1340/m	90+
4000K	60	.66"	1.5w/ft - 5w/m	128/ft - 428/m	80+
4000K	120	.33"	3w/ft - 10w/m	385/ft - 1285/m	90+

Standard (24vdc) LED options *Great for circuits requiring up to 96w.

CCT/COLOR	LED/M	LED SPACING	POWER CONSUMPTION	LUMEN OUTPUT +/- 10%	CRI
2200K	240	.165"	1.5w/ft - 5w/m	114/ft - 380/m	90+
2200K	240	.165"	3w/ft - 10w/m	240/ft - 800/m	90+
2700K	240	.165"	1.5w/ft - 5w/m	143/ft - 480/m	90+
2700K	240	.165"	3w/ft - 10w/m	269/ft - 900/m	90+
3000K	240	.165"	1.5w/ft - 5w/m	149/ft - 500/m	90+
3000K	240	.165"	3w/ft - 10w/m	281/ft - 940/m	90+
4000K	240	.165"	1.5w/ft - 5w/m	158/ft - 530/m	90+
4000K	240	.165"	3w/ft - 10w/m	299/ft - 1000/m	90+

240 LED/m Minimizes or Eliminates the Visual Dots with (FL) lens due to the the close LED spacing

COB (24vdc) LED options *Great for circuits requiring up to 96w.

CCT/COLOR	LED/M	LED SPACING	POWER CONSUMPTION	LUMEN OUTPUT +/- 10%	CRI
2700K	378	COB	1.5w/ft - 5w/m	126/ft - 420/m	90+
2700K	378	COB	3w/ft - 10w/m	255/ft - 850/m	90+
3000K	378	COB	1.5w/ft - 5w/m	138/ft - 460/m	90+
3000K	378	COB	3w/ft - 10w/m	269/ft - 900/m	90+
4000K	378	COB	1.5w/ft - 5w/m	150/ft - 500/m	90+
4000K	378	COB	3w/ft - 10w/m	284/ft - 950/m	90+

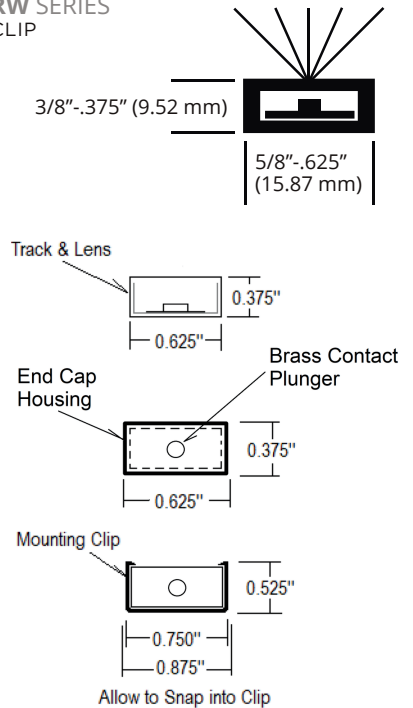
COB LED Eliminates the Visual Dots by using close LED spacing and uniform diffused linear LED cover

Dim to Warm (24vdc) LED options (DTW)

CCT/COLOR	LED/M	LED SPACING	POWER CONSUMPTION	LUMEN OUTPUT +/- 10%	CRI
1800-2500K	240	.329"	3w/ft - 10w/m	Coming Soon	90+
2200-2700K	120	.658"	3w/ft - 10w/m	267-284/ft - 890-950/m	90+
2200-3800K	120	.658"	3w/ft - 10w/m	Coming Soon	90+
2200-2700K	240	.329"	3w/ft - 10w/m	Coming Soon	90+
2400-3000K	240	.329"	3w/ft - 10w/m	Coming Soon	90+

RW SERIES ADJUSTABLE SHELF LIGHT

RW SERIES CLIP



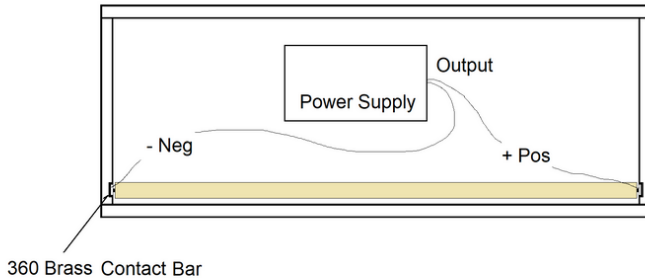
*See mounting clip product sheet for more details

Custom fabricated fixtures are manufactured to the exact dimension required.

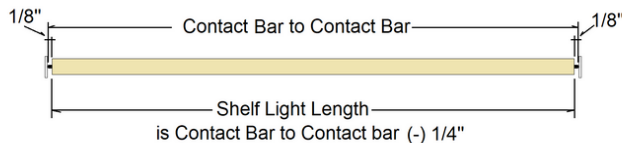
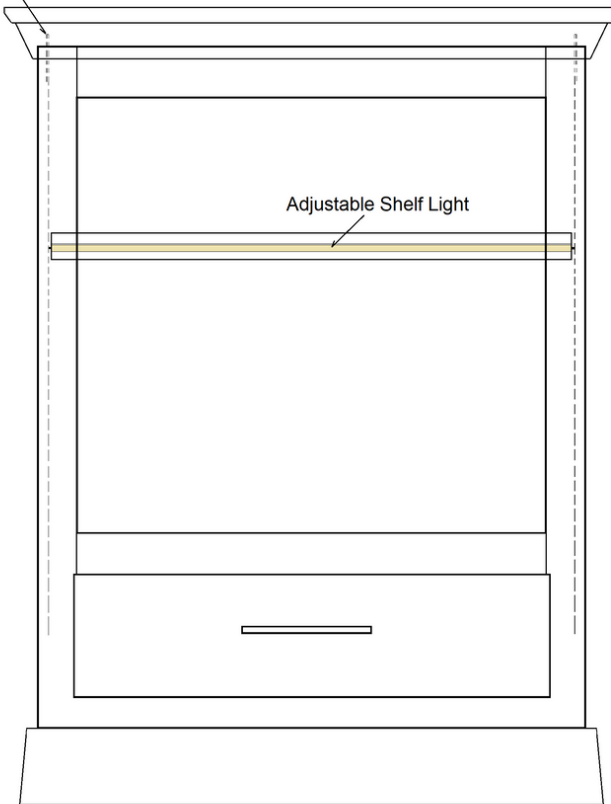
Please consult with an RSL representative for solutions on extra-long lengths.



(Top View Example)



(Front View Example)



HOW IT WORKS:

360 Brass contact bars are recessed to flush mount in the sides of the cabinet/case by cabinet builder. 360 brass contact bars are available in 1/8" thick x 1/2" or 3/4" wide. Maximum length is 12 ft.

Contact bars should extend above or below visual cabinet spaces to allow hidden lead wire connections to the power supply. Power supplies should also be located in an accessible remote location.

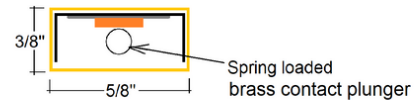
The Class 2 power supply's low voltage outputs connect to each of the contact bars with minimum 18awg insulated wire. Positive lead wire connects to one contact bar and negative lead wire connects to the other.

*96watts maximum between two contact bars for 24vdc shelf light systems.

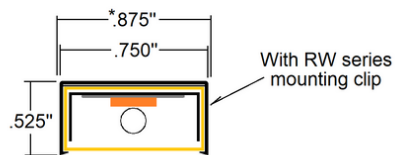
*60watts maximum between two contact bars for 12vdc shelf light systems.

Adjustable shelf lights can be mounted onto shelf surface using RW series mounting clips or flush mounted directly into horizontal trims or angled trims. (provided by cabinet maker). Prior to building the case, consider front stile interference for installation, adjusting and removal of the shelves.

Adjustable Shelf Light (Profile)



*Minimum allowance to snap over lens



*For best results, measure top shelf, middle shelf and bottom shelf of your cabinet to review shelf dimensions for constancy. If the dimensions are not all the same or not within 1/8", please order shelf lengths accordingly. For correct light lengths, measure contact bar to contact bar, minus 1/4". Contact movement on each end of the light is 1/4". This centers the contact plunger in its movable range.



INSTALLATION INSTRUCTIONS

RW ADJUSTABLE SHELF LIGHT

Voltage / 12vdc and 24vdc LEDs

Require class 2, 12vdc or 24vdc power supplies

- Circuit is completed using 1/8" x 1/2" brass contact bars mounted flush in sides of casework;
 - The contact bars should be connected to the low voltage class 2 power supply with minimum 18 awg wire. One wire to the positive side and one wire to the negative side.
- Polarity sensitive
 - If lights don't illuminate, try reversing ends.
 - Restore electricity and check operation fixture.

Fixtures are packed in plastic bags for protection during the shipping process. Please note tagging code if required.

PRIOR TO INSTALLATION

! DISCONNECT THE POWER BY TURNING OFF CIRCUIT BREAKER OR REMOVING FUSE AT FUSE BOX !

Installation: Mechanical Fastening

The shelf light can be mounted onto the adjustable shelf surface with mounting clips (provided) or flush mounted into the shelf surface. The shelf light can also be installed in a separate molding and attached to the shelf. If mounting with adhesive tape, ensure that the mounting area is neat, clean, dry, and free from any chemical residue.



INSTALLATION INSTRUCTIONS

RW ADJUSTABLE SHELF LIGHT

Special Notes:

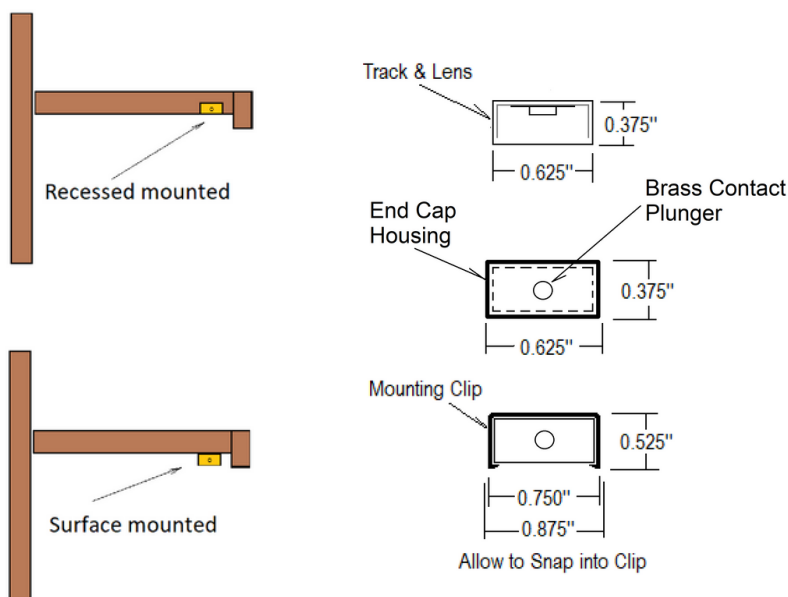
Prior to building the case, consider front stile interference during removal and installation of the adjustable shelf.

Shelf lights are made with RSL RW series fixture and proprietary connection system that generates light when “plungers” come into contact with the powered bars. There is roughly $\frac{1}{4}$ ” allowance for contact per side of shelf.

All electrical connections must be in accordance with local codes, ordinances, or the national electrical code. If you are unfamiliar with methods of installing electrical wiring, retain the service of a qualified licensed electrician. Before starting the installation, disconnect the power by turning off the circuit breaker or removing the fuse from the fuse box. Turning off the light switch is not sufficient to prevent electrical shock.

The Class 2 power supply's low voltage outputs connect to each of the contact bars with minimum 18awg insulated wire. Positive lead wire connects to one contact bar and negative lead wire connects to the other.

! WE DO NOT RECOMMEND MOUNTING SCREWS IN THE VISIBLE AREA CONTACT PATHWAYS !



*For best results, measure top shelf, middle shelf and bottom shelf of your cabinet to review shelf dimensions for constancy. If the dimensions are not all the same or not within $\frac{1}{8}$ ”, please order shelf lengths accordingly. For correct light lengths, measure contact bar to contact bar, minus $\frac{1}{4}$ ”. Contact movement on each end of the light is $\frac{1}{4}$ ”. This centers the contact plunger in its movable range.

Any questions on voltage type, maximum wattage, or re-lamping, please call or contact us at:



CUSTOM LOW VOLTAGE LIGHTING

LED Driver Options

Magnetic Dimmable Drivers (Limited quantity available)			
DESCRIPTION	INPUT VOLTAGE	OUTPUT VOLTAGE	RATING
60w	120vac	12vdc	Class 2, UL/3R
240w (4x60)	120vac	12vdc	Class 2, ETL/3R
96w	120vac	24vdc	Class 2, UL/3R
288w (3x96)	120vac	24vdc	Class 2, UL/3R

*With magnetic drivers, please use a 20% de-rating factor in your designs

*240v and 277v input options available for special order

*Magnetic drivers require magnetic dimmers

Universal Dimmable Drivers			
DESCRIPTION	INPUT VOLTAGE	OUTPUT VOLTAGE	RATING
DMU-30w	100-277vac	12vdc	Class 2, UL
DMU-60w	100-277vac	12vdc	Class 2, UL
DMU-(3x60w)	100-277vac	12vdc	Class 2, UL
DMU-(5x60w)	100-277vac	12vdc	Class 2, UL
DMU-30w	100-277vac	24vdc	Class 2, UL
DMU-60w	100-277vac	24vdc	Class 2, UL
DMU-96w	100-277vac	24vdc	Class 2, UL
DMU-(2x96w)	100-277vac	24vdc	Class 2, UL
DMU-(3x96w)	100-277vac	24vdc	Class 2, UL

*DMU universal drivers are compatible with all phase and 0-10V dimmers.

Lutron Dimmable Drivers (Limited quantity available)			
DESCRIPTION	INPUT VOLTAGE	OUTPUT VOLTAGE	RATING
40w LTEA4U1UKL-AV120	120vac	12vdc	Class 2, UL
96w L3D0-96W24V-U	100-277vac	24vdc	Class 2, UL

Non-Dimming Drivers			
DESCRIPTION	INPUT VOLTAGE	OUTPUT VOLTAGE	RATING
LPV-35w	90-264vac	12vdc	Class 2, UL
LPV-60w	90-264vac	12vdc	Class 2, UL





RSL

Roberts Step-Lite

ROBERTS STEP-LITE SYSTEMS | 8100 SW 15TH STREET • OKLAHOMA CITY, OK 73128

405.728.4895 • f: 405.728.4878 • 800.654.8268 • robertssteplite.com • info@robertssteplite.com